

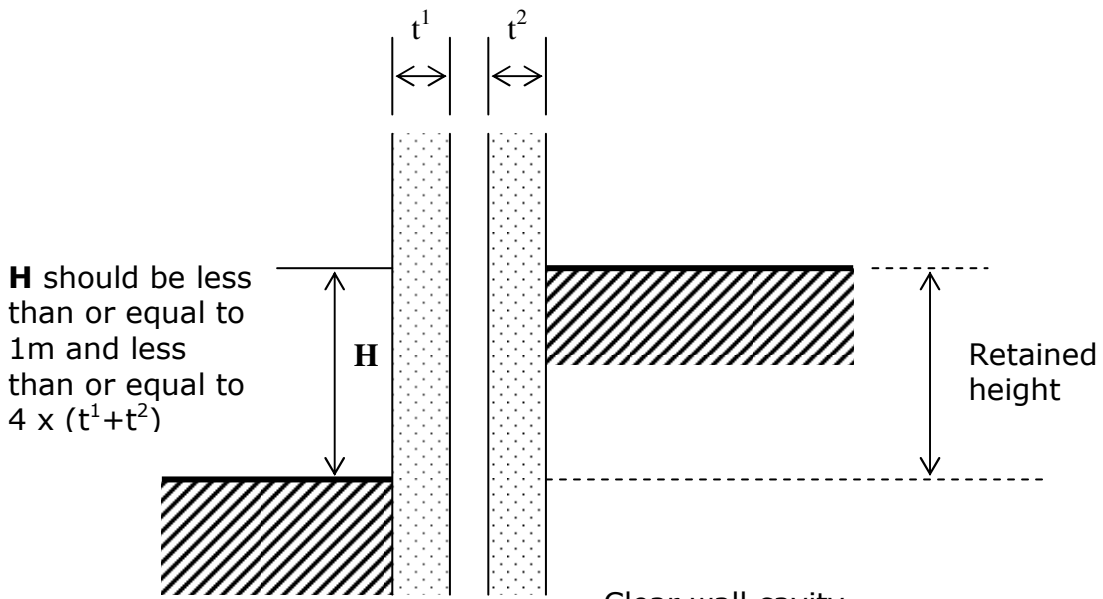


LINCS BUILDING
CONSULTANCY

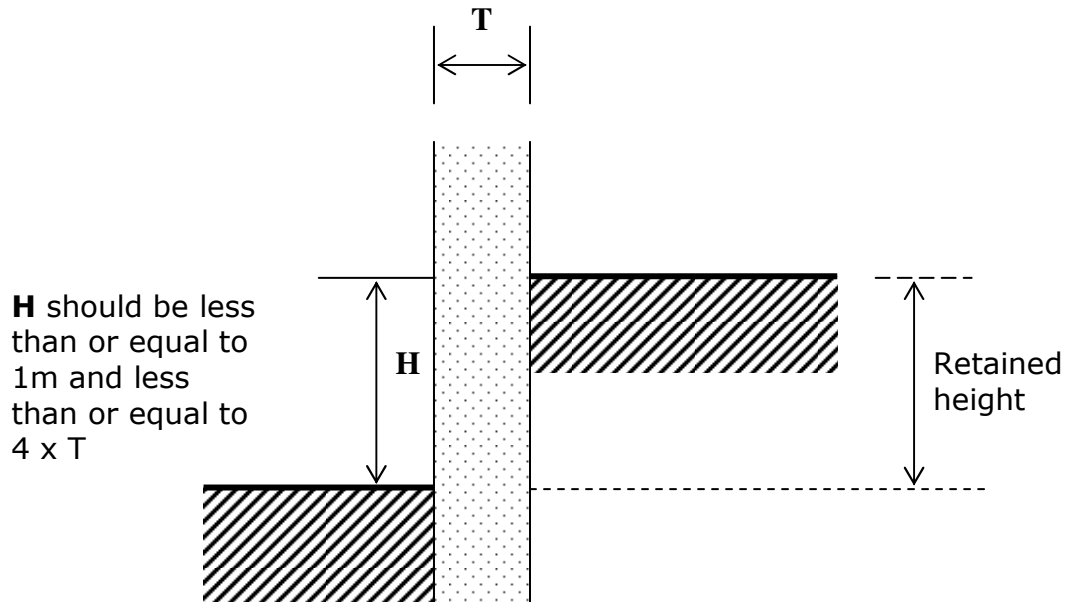
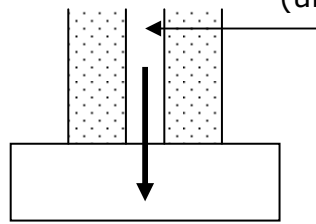
Guidance Note No. 28

Difference in Ground
Levels

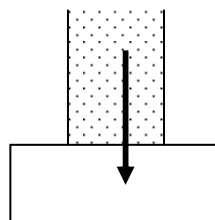
Maximum Differences in Permitted Level

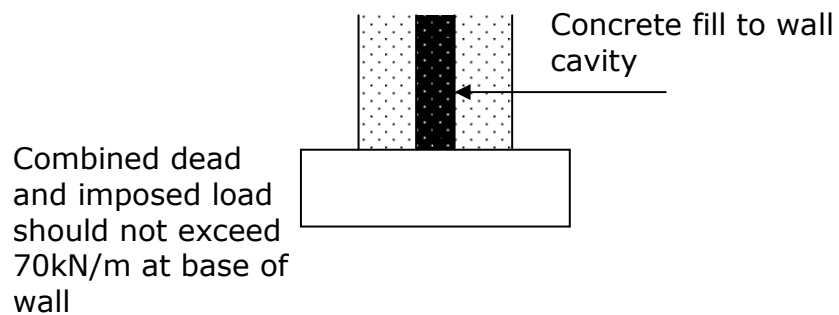
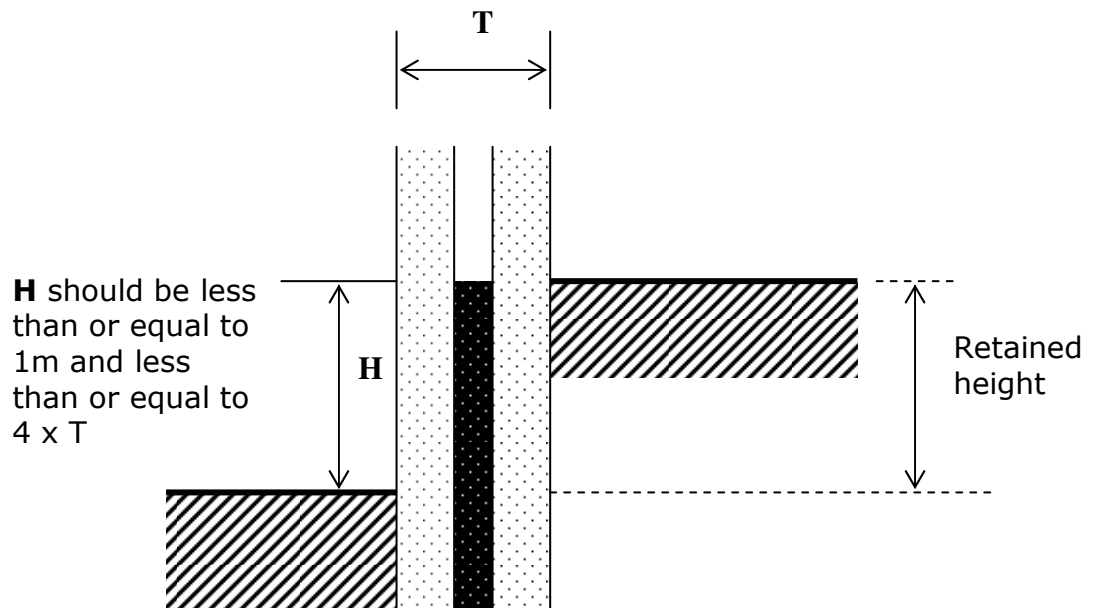


Combined dead and imposed load should not exceed 70kN/m at base of wall



Combined dead and imposed load should not exceed 70kN/m at base of wall





Notes:

1. Cavity walls should be tied in accordance with Table 5 of Approved Document A
2. These recommendations apply to circumstances where there is a full storey height of masonry above the upper retained level.
3. Floor slabs in these illustrations have been omitted for clarity and may be on either side of the walls shown.



Lincs Building Consultancy

**Tedder Hall
Manby Park
Louth
Lincolnshire
LN11 8UP**

**Tel: 08707 551696
Fax: 01507 327069
www.e-lindsey.gov.uk
E-mail: lbc@lincsbc.gov.uk**

If you would like to receive this information in another language or in another format, such as large print, Braille or on an audio tape, please contact Administration at either of the offices shown above.

Please note that these guidance notes are for advice only and may not cover all situations. It is your responsibility to ensure that they are appropriate for use in your particular circumstances.