



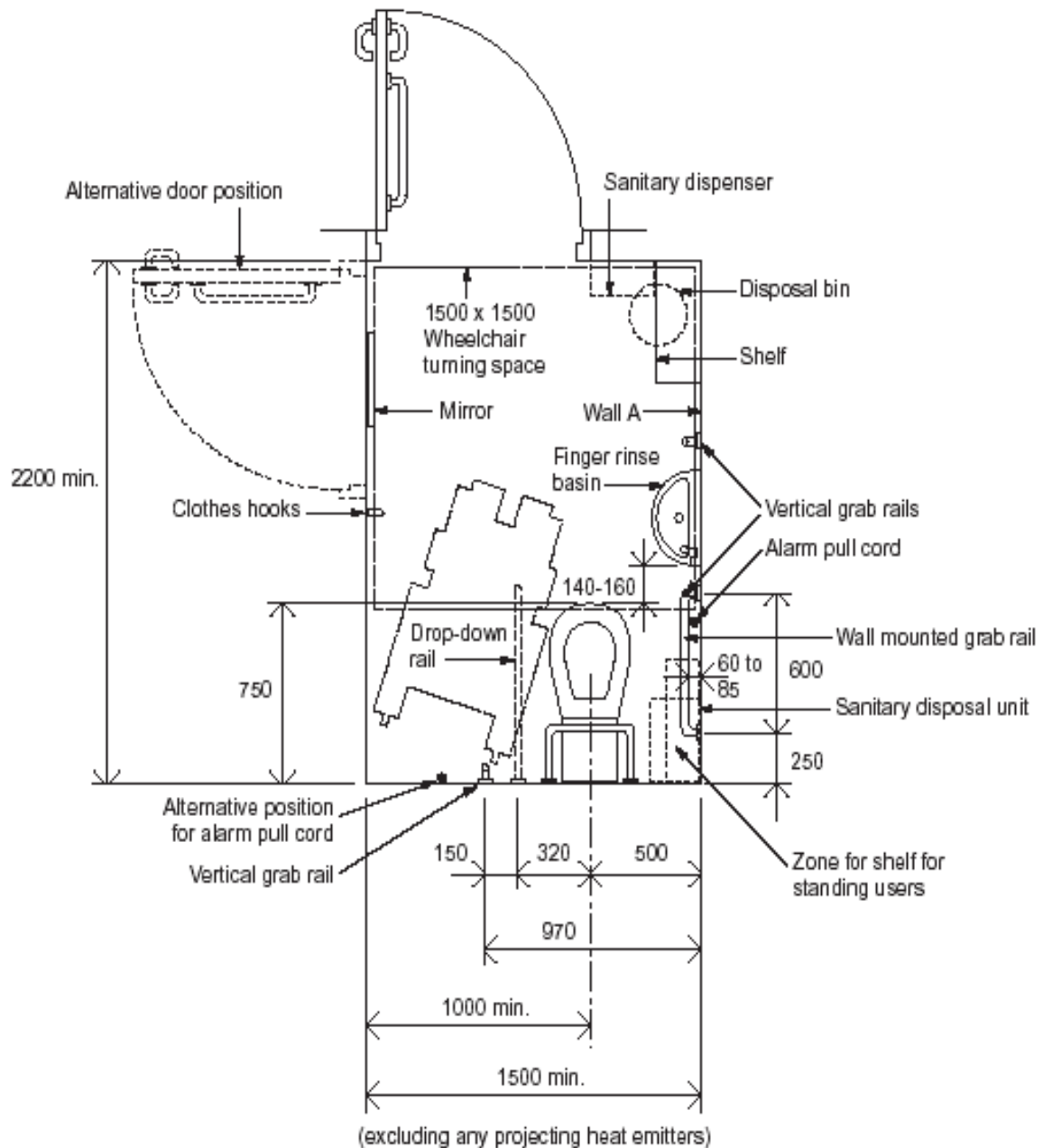
LINCS BUILDING
CONSULTANCY

Guidance Note No. 31

Unisex Wheelchair
Accessible Toilets

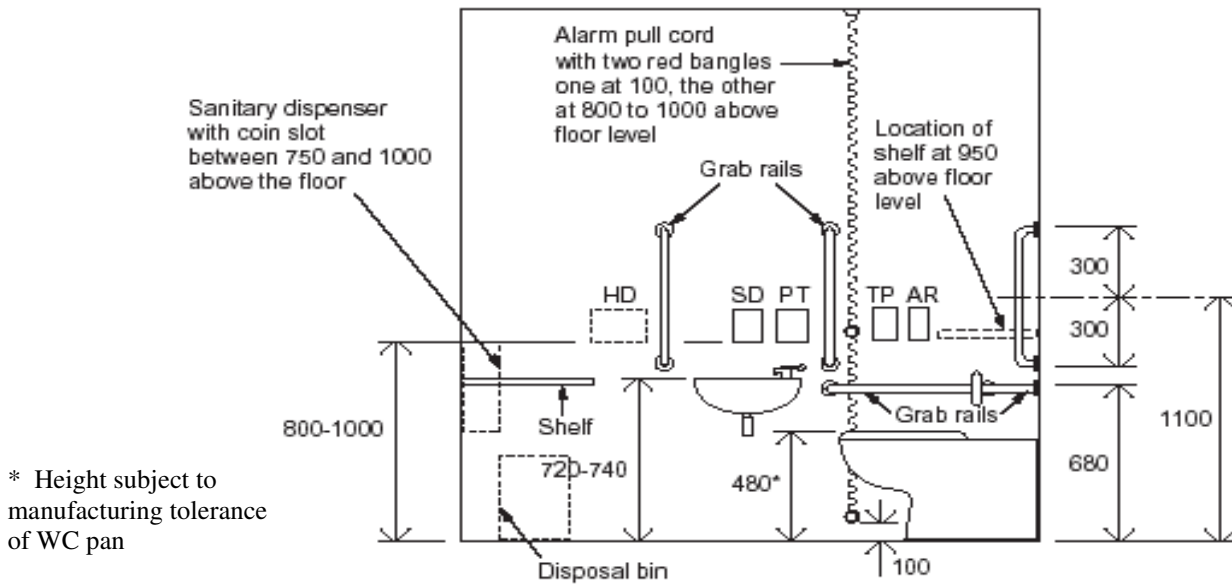
Unisex wheelchair accessible toilet with corner WC

- ❖ Please ensure a colour contrast between sanitary fittings and walls



Note – layout for right hand transfer to WC

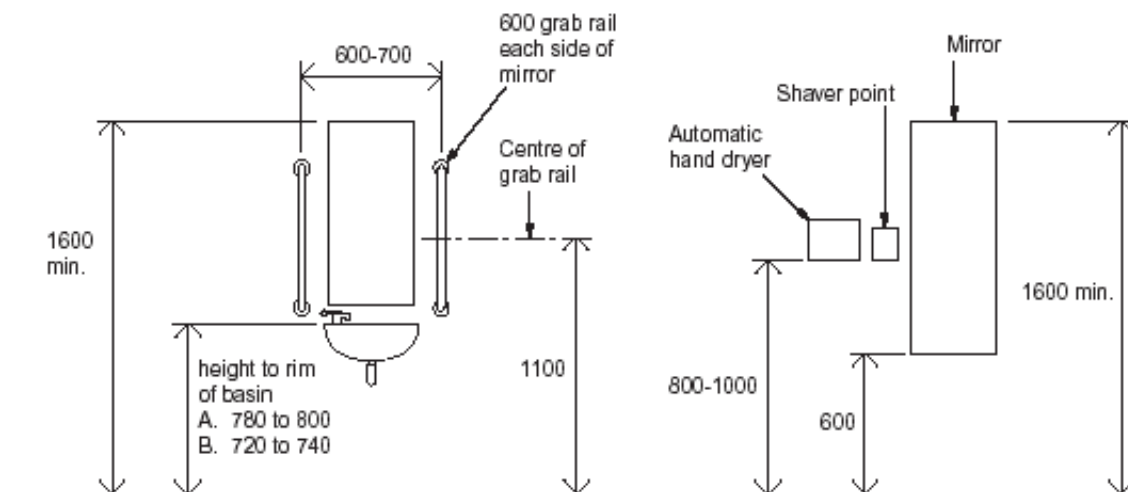
Heights and arrangements of fittings in a unisex wheelchair accessible toilet



- HD: Possible position for automatic hand dryer
- SD: Soap dispenser
- PT: Paper towel dispenser
- AR: Alarm reset button
- TP: Toilet paper dispenser

Height of drop-down rails to be the same as the other horizontal grab rails

Heights of various fittings in toilet accommodation



Height of independent wash basin and location of associated fittings for wheelchair users and standing people

- A. For people standing
- B. For use from WC

Mirror located away from wash basin suitable for seated and standing people (mirror and associated fittings used within a WC compartment or serving a range of compartments)



FS58945



Lincs Building Consultancy

**Tedder Hall
Manby Park
Louth
Lincolnshire
LN11 8UP**

**Tel: 08707 551696
Fax: 01507 327069
www.e-lindsey.gov.uk
E-mail: lbc@lincsbc.gov.uk**

If you would like to receive this information in another language or in another format, such as large print, Braille or on an audio tape, please contact Administration at either of the offices shown above.

Please note that these guidance notes are for advice only and may not cover all situations. It is your responsibility to ensure that they are appropriate for use in your particular circumstances.