

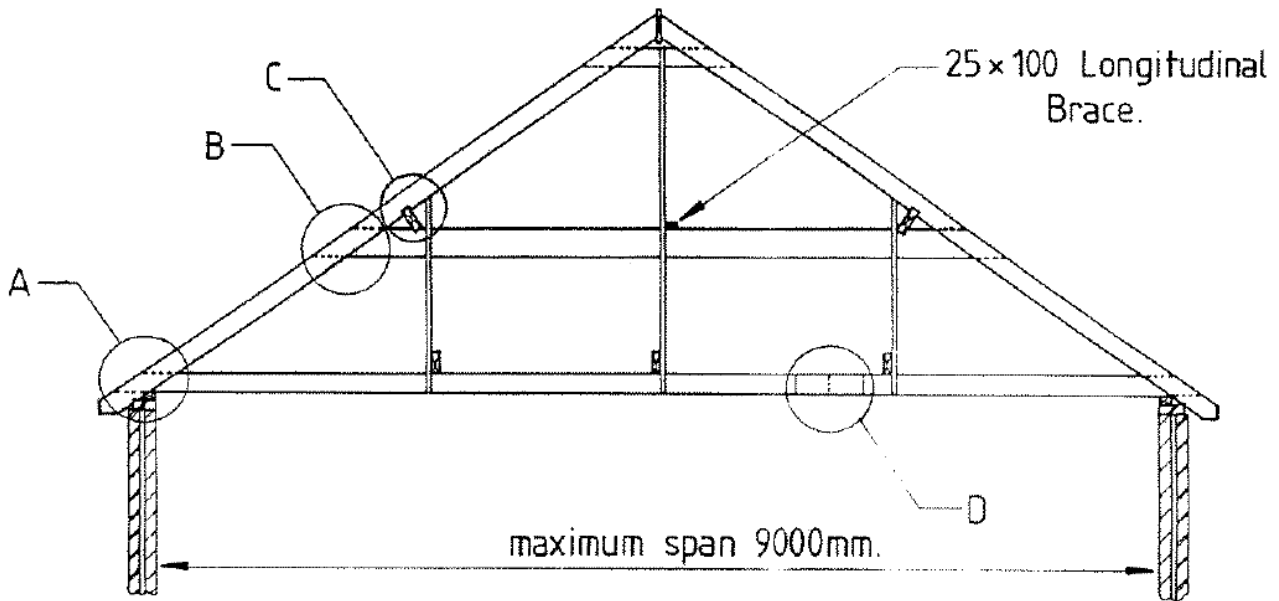


LINCS BUILDING  
CONSULTANCY

## **Guidance Note No. 51**

Double Rafter Collar Truss  
- up to 9m span

Double Rafter Collar Truss – up to 9.0m span.



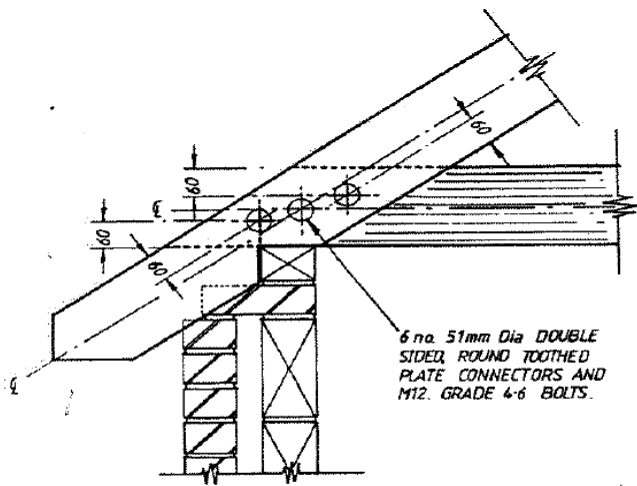
Member	Size
Rafters	2 no. 38 x 175
Ceiling Joist	1 no. 38 x 175
Collar	38 x 225
Ridge Collar	38 x 175
Hangers	50 x 100
<b>Runners</b>	Refer to tables in Approved Document A.
Purlins	

Bolted Connections - 51Ø double sided, round toothed plate Connectors and M12, grade 4.6 bolts.

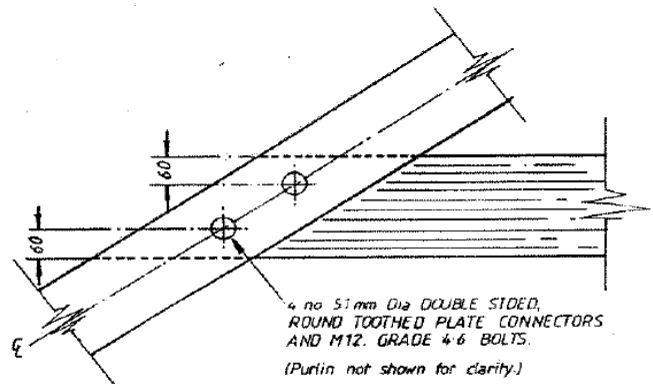
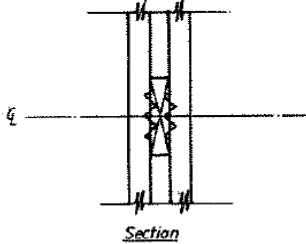
- NOTES
1. All timbers to be grade S C 3
  2. Trusses at maximum 1800mm centres.
  3. Common Rafters at maximum 450mm centres.
  4. Roof pitch:- min 22.5°. max.45°
  5. Tile weight :- max. 61kg/sq.m
  6. Common Rafters between trusses to be in accordance with the tables in the Building Regulations 1998, Approved Document A.
  7. Cavity Wall Construction: - 100mm inner leaf blockwork, min 3.5 N/sq.mm 102.5mm outer leaf brickwork.

Source of information -  
Hutter Jennings and Titchmarsh.  
Consulting Structural and Civil Engineers

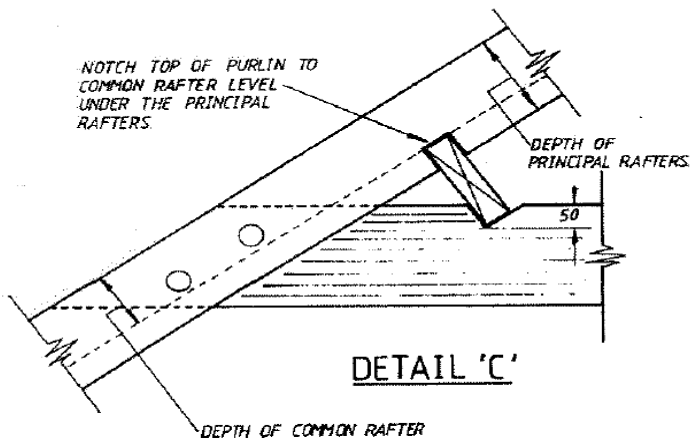
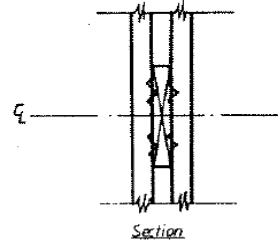
Dimensions in millimetres



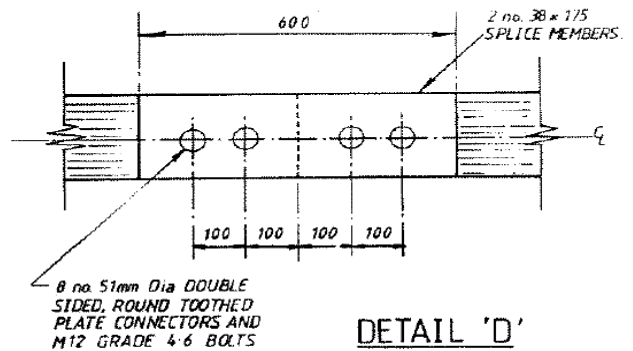
**DETAIL 'A'**



**DETAIL 'B'**



**DETAIL 'C'**



**DETAIL 'D'**

Note: The runners can also be notched over the truss ceiling joists to suit the depth of the intermediate ceiling joists.

### NOTES

1. Using 50mm wide joists in place of the 38mm shown will not permit a reduction in the joist depth.
2. The rafters and ceiling joists forming the truss should not be notched to accommodate the purlins and runners.

All dimensions are in millimetres



FS58945



## **Lincs Building Consultancy**

**Tedder Hall  
Manby Park  
Louth  
Lincolnshire  
LN11 8UP**

**Tel: 08707 551696  
Fax: 01507 327069  
[www.e-lindsey.gov.uk](http://www.e-lindsey.gov.uk)  
E-mail: [lbc@lincsbc.gov.uk](mailto:lbc@lincsbc.gov.uk)**

If you would like to receive this information in another language or in another format, such as large print, Braille or on an audio tape, please contact Administration at either of the offices shown above.

Please note that these guidance notes are for advice only and may not cover all situations. It is your responsibility to ensure that they are appropriate for use in your particular circumstances.